



CHASSIS / STEERING / ALIGNMENT



SUSPENSION SOLUTION

ARM

TRUCK BAR

Q0637

REAR PANHARD ROD

Harden Rubber + Pillow Ball



Q0555

FRONT PANHARD ROD FOR LHD CAR USE

Harden Rubber Equipped



Q0386

FRONT PANHARD ROD FOR RHD CAR USE

Harden Rubber Equipped



- Correct axle alignment on lifted cars
- High quality ultra strong steel construction
- ED coated and painted for the highest durability

Q0755

FRONT LOWER BRACE

OE Replacement - For Lifted Cars

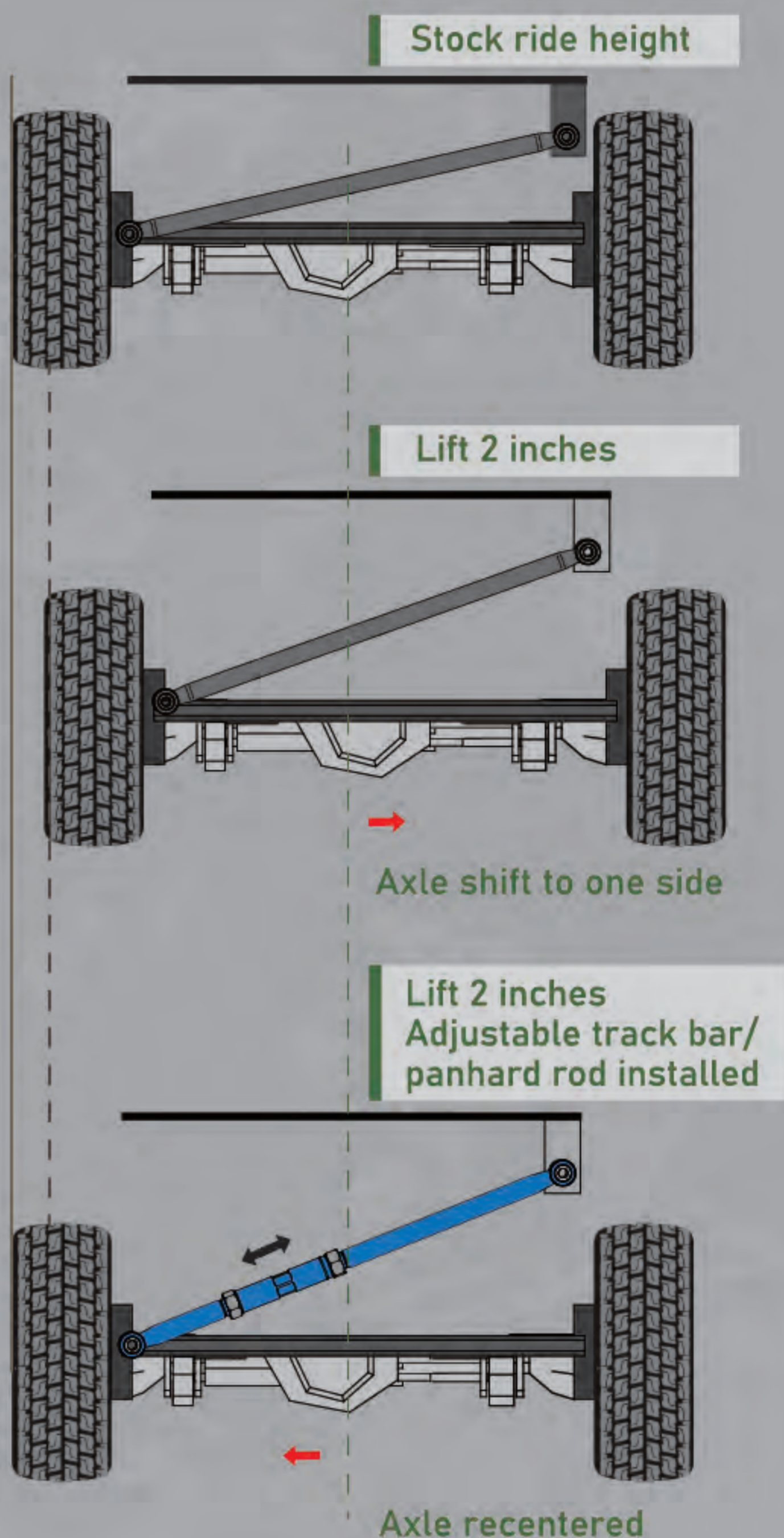


- OEM direct replacement
- Prevent prop shaft interference on lifted cars
- High-strength tubular steel construction
- ED coated for highest durability
- Improve chassis rigidity

Q0908

STEERING STABILIZER For Both LHD & RHD Models

- Upgraded damper equipped
- Dampen steering feedback on hard gravel
- Offer better handling feel and stability
- Reduce steering wheel wobble



RADIUS ARM

Q0560/Q0689

FRONT RADIUS ARM For 2~3" Lift

- Q0560 Harden Rubber Equipped
- Q0689 Harden Rubber + Pillow Ball



- Correct caster angle on lifted cars
- High strength construction

Q0561/Q0690

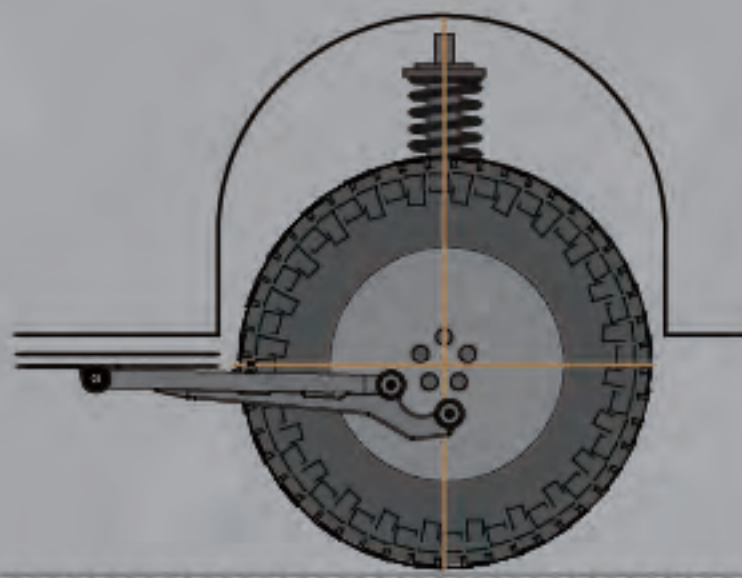
REAR RADIUS ARM For 2~3" Lift

- Q0561 Harden Rubber Equipped
- Q0690 Harden Rubber + Pillow Ball

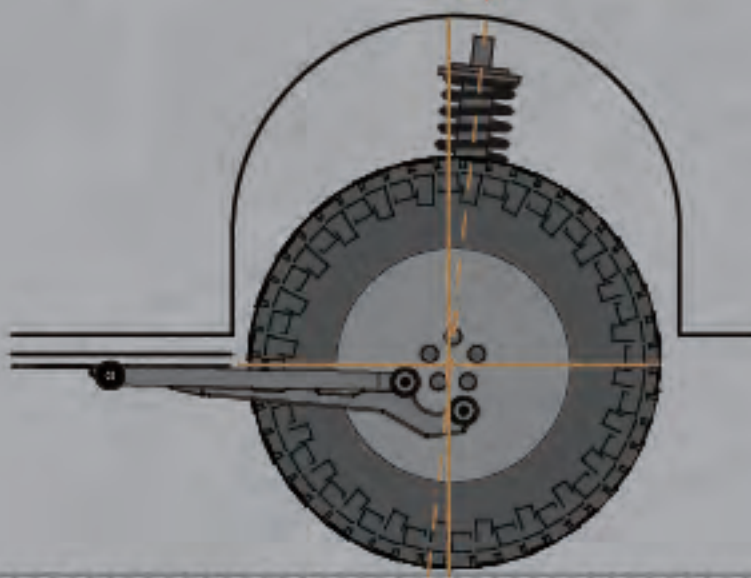


- ED coating and painting for highest durability
- Harden rubber equipped for better chassis response

Stock ride height

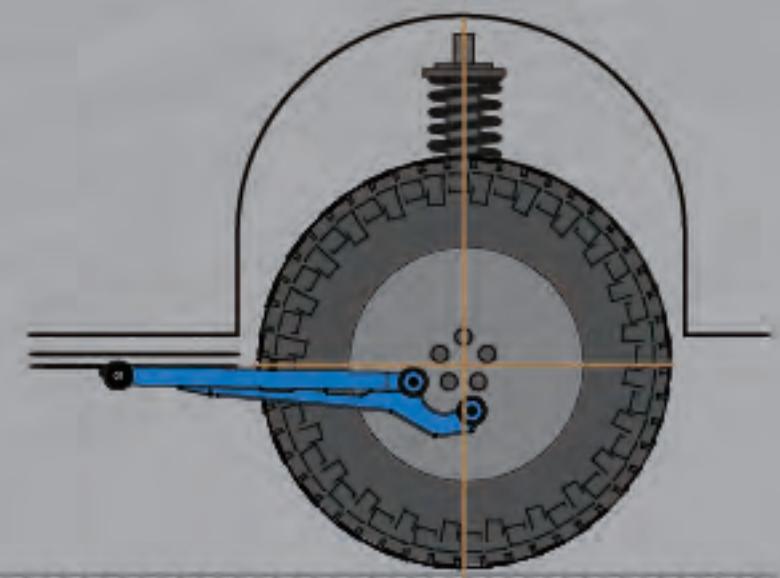


Lift 2~3 inches



Caster decreased

Lift 2~3 inches



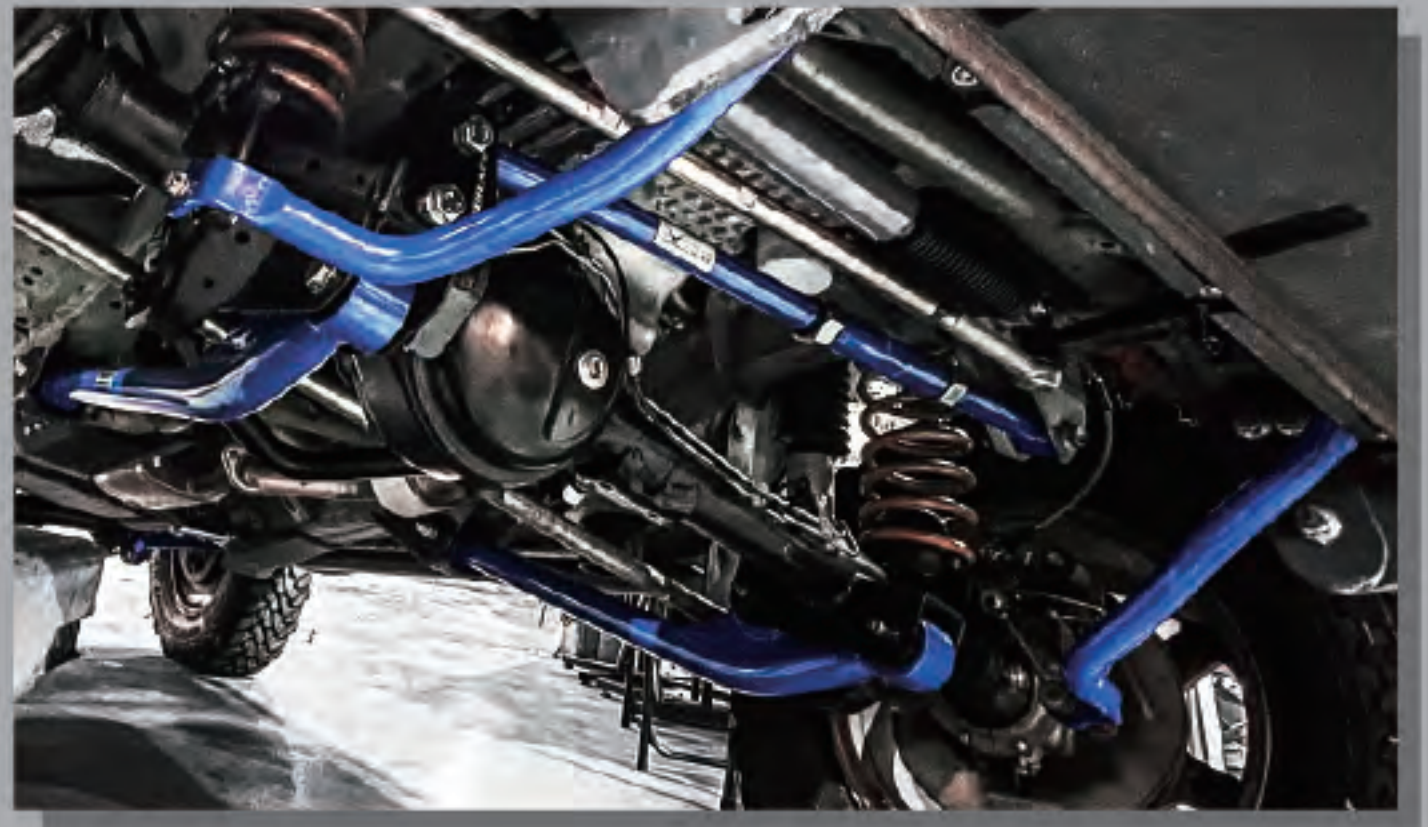
Hardrace radius arms installed to restore caster

Q0866

FRONT ADJUSTABLE RADIUS ARM For 3" Lift



- Q0866 Harden Rubber Equipped



Q0867

REAR 4-LINK ARM KIT Adjustable



- Harden Rubber + Pillow Ball



SWAY BAR

Q0823

FRONT QUICK DISCONNECT SWAY BAR

- Lock pin quick disconnect mechanism
- Easy switch to on-road / off-road settings
- ED-coated high strength steel construction
- Greasable self-lubricated bearing equipped



Q0578

FRONT SWAY BAR



Q0950

REAR SIDE HEADLIGHT LEVELING ROD & BRACKET Adjustable - For 2"+ Lift

- Correct headlight leveling sensor geometry on lifted cars
- Premium quality connecting rod joints equipped

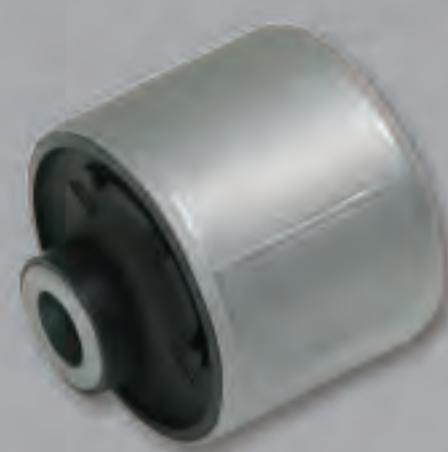


BUSHING

Q0878

FRONT RADIUS ARM BUSHING - AXLE SIDE For front radius arm Caster Correction +3°/+6°

- Correct caster angle on lifted cars
- Harden rubber bushings equipped
- Provides better handling performance
- 0878 Harden Rubber Equipped



Caster +6°



7271 / 6947

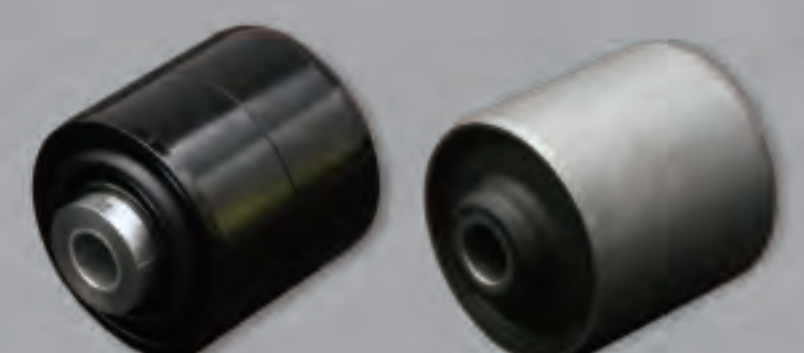
FRONT / REAR RADIUS ARM BUSHING - AXLE SIDE Front Arm: For Front Side Rear Arm: For Rear Side



6946 / 7272

FRONT / REAR RADIUS ARM BUSHING - FRAME SIDE Front Arm: For Rear Side Rear Arm: For Front Side

- 7271 / 7272 Harden Rubber Equipped
- 6946 / 6947 Pillow Ball Equipped



BAR AND BRACE

TOW HOOK KIT

Q0876

FRONT TOW HOOK KIT
For LHD / Passenger Side Use



Q0836

REAR TOW HOOK KIT
For RH & LH Side Use



Q0835

FRONT TOW HOOK KIT
For LHD / Driver Side Use



- 10mm thick high strength steel alloy construction
- ED coated for highest durability
- Improve tow hook structure and accessibility
- Prevent bumper damages when towing
- Direct bolt-on design, no drilling & welding required
- Compatible with factory bumper

FENDER LINER

Q1179

FRONT & REAR INNER FENDER LINER



BUMP STOP

Q0862 / Q0863

FRONT/REAR EXTENDED BUMP STOP

- Prevent shocks from bottoming out
- Provide larger wheel and inner arches clearance
- OEM direct replacement



BAR AND BRACE

Q0860

REVERSE TIE ROD END

+

FRONT PANHARD ROD EXTENSION BRACKET

For LHD Car Use

For 3"+ Lift

16-inch or larger rims required



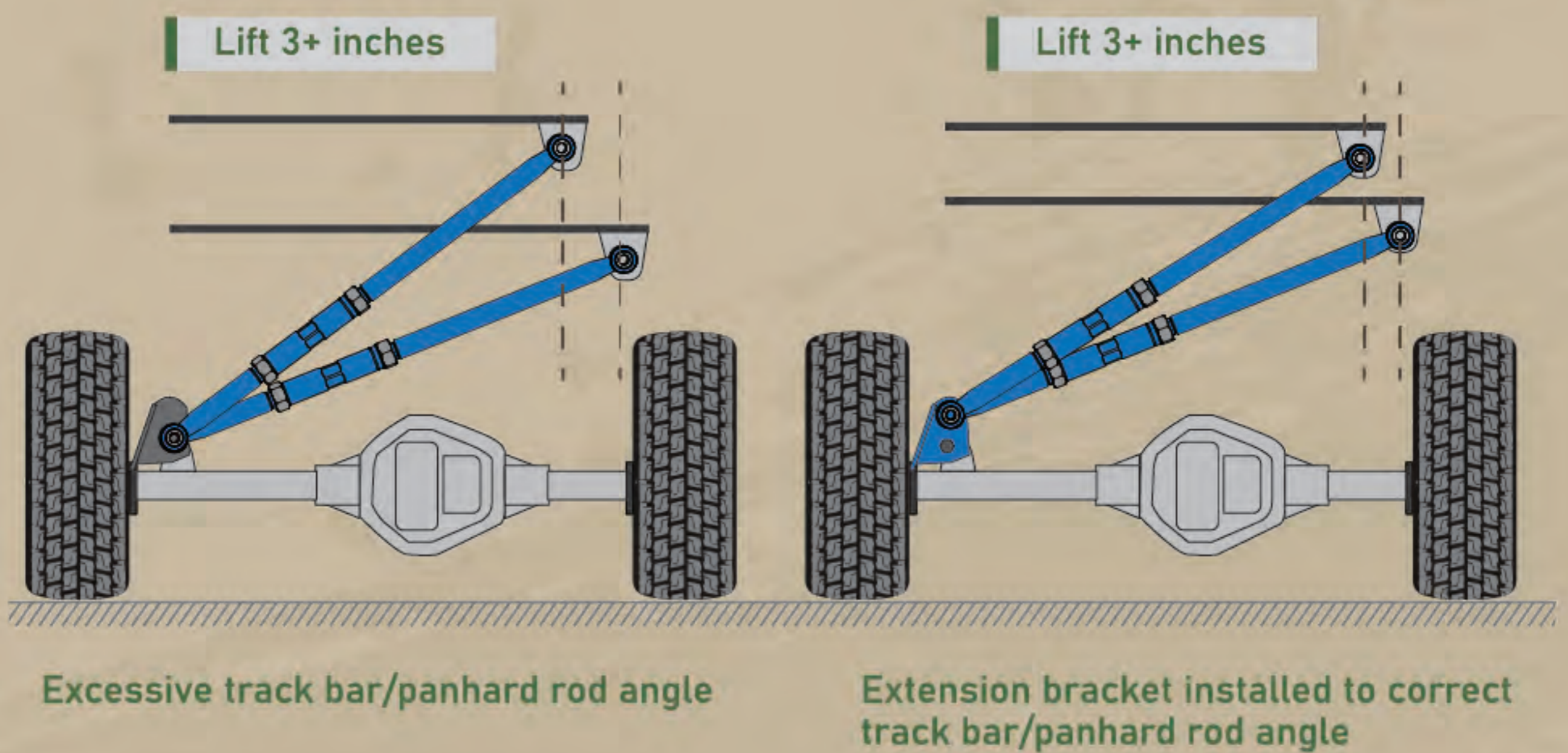
Q0783

FRONT PANHARD ROD EXTENSION BRACKET

For LHD Car Use

For 3"+ Lift

16-inch or larger rims required



Q0750

REAR PANHARD ROD EXTENSION BRACKET

For 3"+ Lift



- Correct track bar geometry for lifted vehicles
- High strength steel construction
- ED coated and painted for highest durability
- Bolt-on installation

Q0859

FRONT STABILIZER RELOCATION KIT

For 3" Lift

For OE Sway Bar & #Q0578 Use



Q0784

BRAKE MASTER CYLINDER STOPPER

For Left-hand Drive Use Only



PROTECTOR GUARD

Q0761

TRANSFER BOX SKID PLATE



Q0765

FUEL TANK SKID PLATE



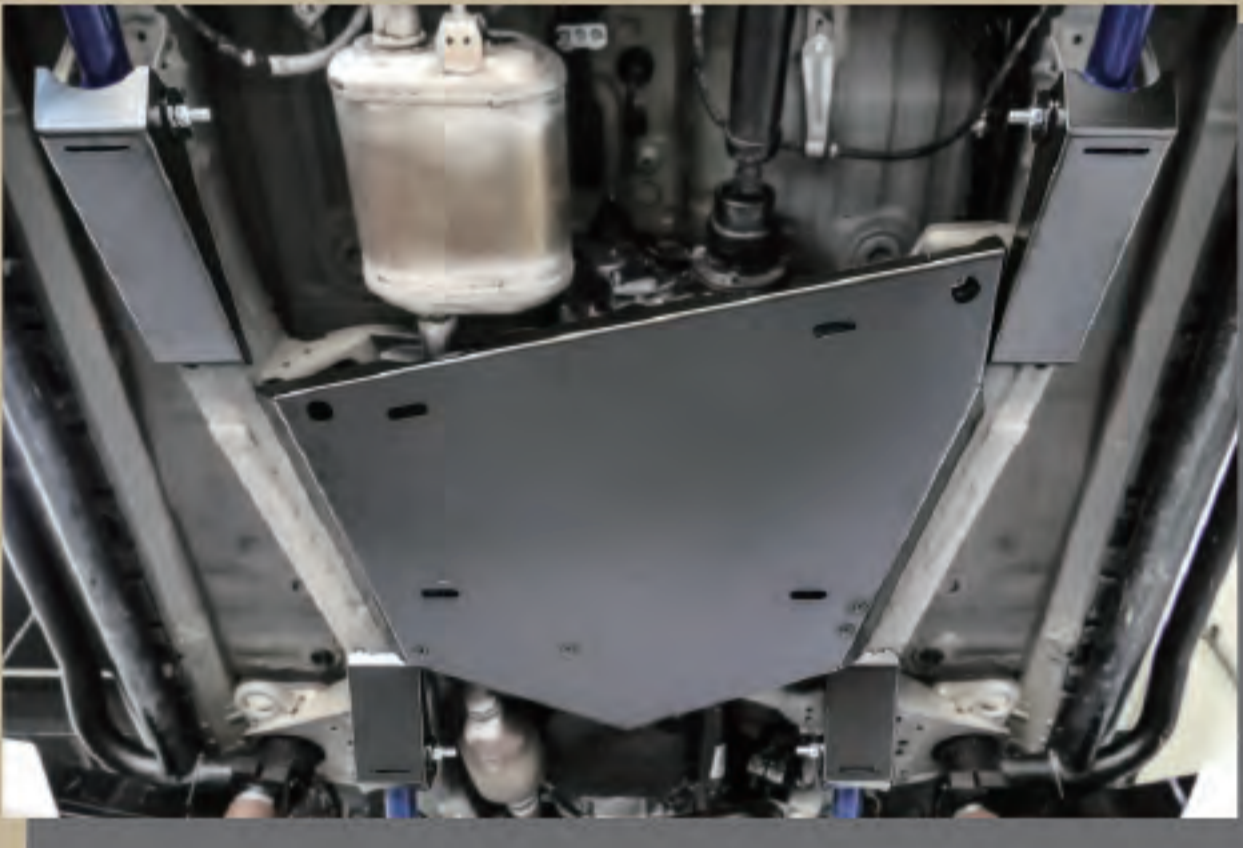
Q0763

CONTROL ARM SKID PLATE



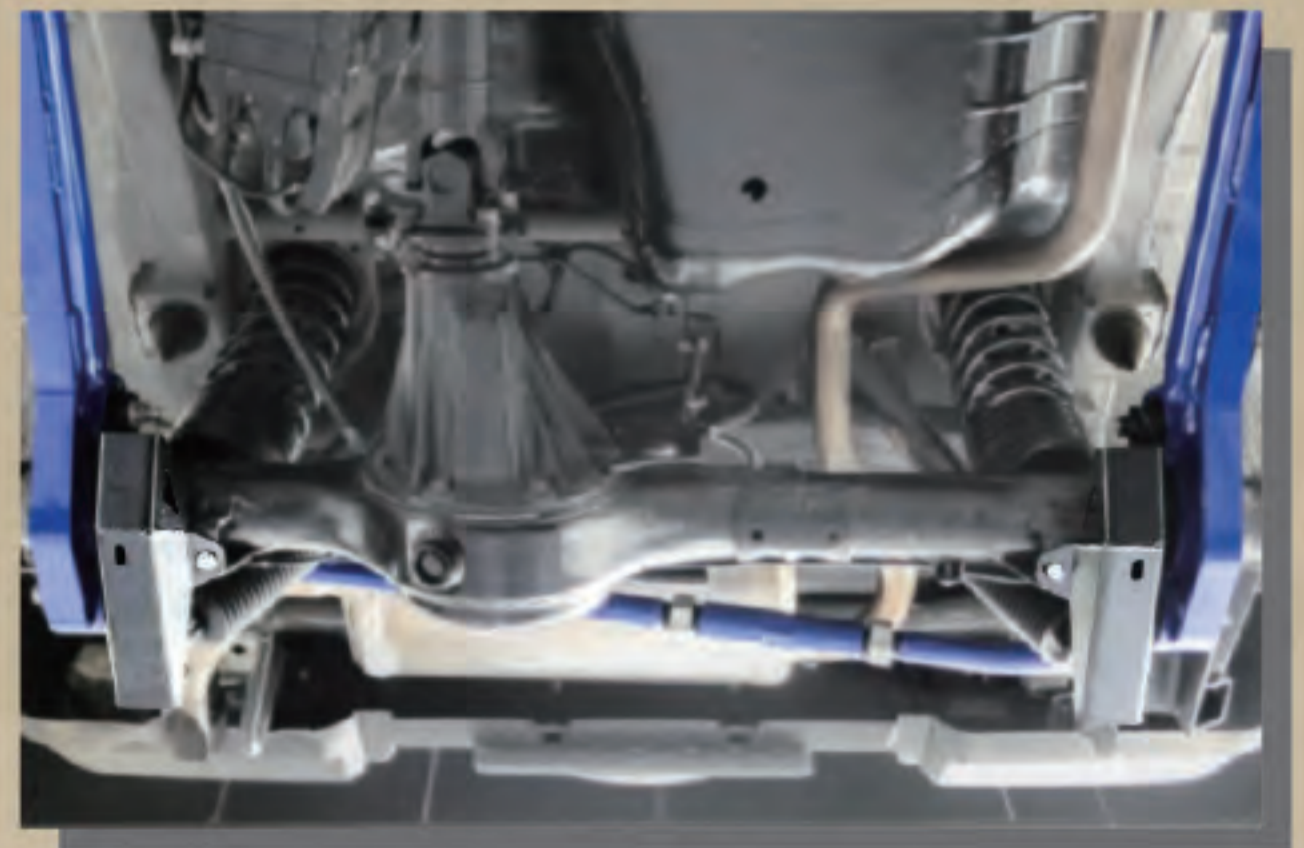
Q0762

CARBON CANISTER SKID PLATE



Q0764

REAR SHOCK ABSORBER SKID PLATE



Q0834

FRONT SHOCK ABSORBER SKID PLATE



- Thick high strength steel construction
- Protection from off-road obstacles



WEBSITE WWW.HARDRACE.COM

E-MAIL GOOGLE@HARDRACE.COM

FACEBOOK [HARDRACE](https://www.facebook.com/HARDRACE)



www.hardrace.com