

Installation Instructions

安裝說明書

BRAKE MASTER CYLINDER STOPPER

煞車總泵頂桿

#Q0709

Application 適用車型

Tesla Model 3 '17-

Components 內含配件

- ① Brake Master Cylinder Stopper 剎車頂桿...1pcs
- ② Bolt 螺絲(M10 x1.5 x35).....1pcs
- ③ Bolt 螺絲(M10x1.5x70).....1pcs
- ④ Washer 華司(M10).....2pcs
- ⑤ Bolt 螺絲(M8X1.25X40).....1pcs
- ⑥ Bolt 螺帽(M8X1.25).....1pcs
- ⑦ Bushing 橡膠墊塊.....1pcs

Caution 注意事項

- Installation is recommended to be performed by licensed mechanics with necessary tools to ensure safety. Incorrect installation may cause injury, damage to the product or vehicle. 安裝建議由合格的技師及工具執行以確保安全。安裝錯誤可能對人員、產品及車輛造成傷害。
- Note the routing of wires and cables before installation, or please refer to factory manual. 安裝前請事先記下線路的安裝路徑及位置以維持原廠配置。有疑問時請參考原廠手冊。
- Tighten bolts and nuts firmly by using handtools, and with specified torque if mentioned. 安裝過程請使用手動工具確實鎖緊螺帽及螺絲。如有特別註明請依照說明指示的扭力上鎖。

Instructions 安裝說明

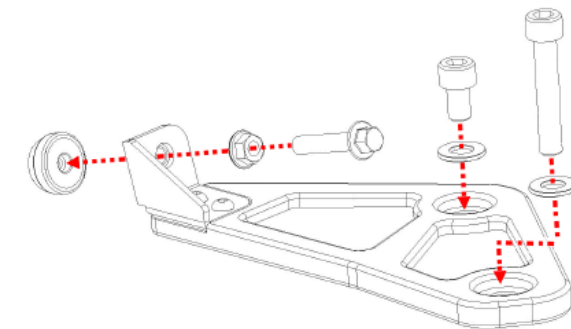
1. Remove the front trunk.

將前置物箱卸下。



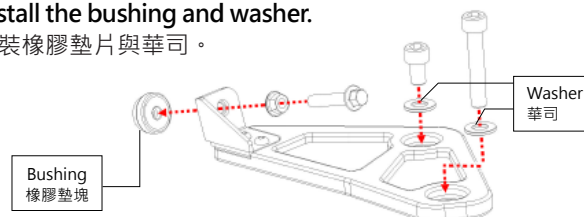
2. Keep the Bolt pointed by the green arrow.

保留綠色箭頭所指向的螺絲。



3. Install the bushing and washer.

安裝橡膠墊片與華司。



4. Install the Brake Master Cylinder stopper.

確實將煞車頂桿安裝並鎖緊。



5. Reinstall the front trunk and make sure the red pipeline is not pressed.

將前置物櫃安裝回去，並且確認沒有壓到紅色管線。

