

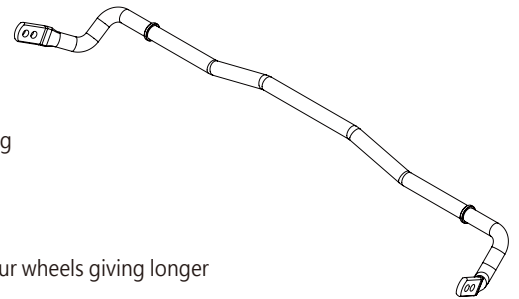
SWAY BAR



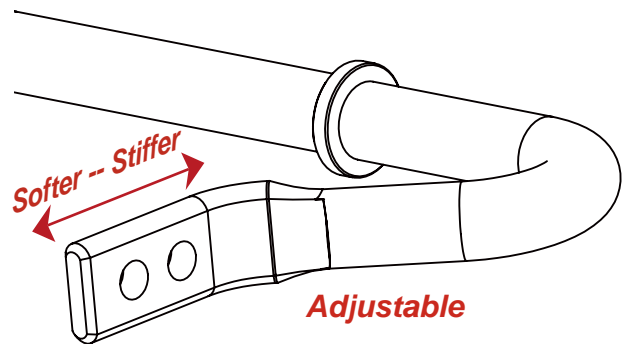
Hardrace sway bars are designed to keep balance of a vehicle, improve handling, maintain traction in any performance-driving situation and upgrade your suspension system. Hardrace manufacture the sway bar with the highest technology and CNC machines. We work diligently to ensure the design, material, and the production procedure to make stiffer, resilient, and durable Sway Bar more than stock bars. To cooperate with Hardrace stabilizer bushings and stabilizer links gives you more joy of control.

WHY HARDRACE SWAY BAR

- Manufactured from Hi-Tensile CR-MO Seamless Steel Alloy
- Manufacture the Sway Bar with Centering Rings which prevent Sway Bar movement during cornering
- Precision CNC Cold- Formed, Tempered and Shot-Peened to increase durability
- Hardrace Lightweight hollow tube decrease the feedback response time
- With blue powder coat to prevent rust and corrosion
- Keep your tire maximum contact with the road; the weight and pressure are distributed evenly to four wheels giving longer tire life



Hollow



BENEFITS

- Correcting understeer or oversteer situation and perfectly balanced
- Reducing body roll and increasing stability while driving in curves
- Thicker Sway Bar increase the torsional resistance
- Adjustable Sway Bar gives you the ability to fine-tune handing to suit your driving style and achieve the impressive results

SWAY BAR			
	HOLLOW		SOLID
WEIGHT	LIGHT	vs.	HEAVY
ELASTIC	HIGH		NORMAL
RESPONSE	NEUTRAL		NORMAL
FEELING	FLEX		HARD
PROCESS	COMPLEX		NORMAL

