

Application 適用車型

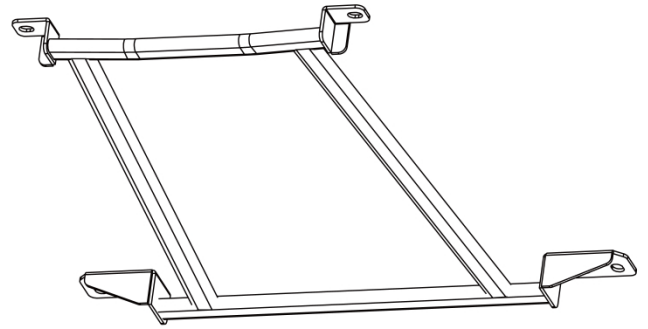
SKODA FABIA '14 - (NJ)
AUDI A1 '10 - 18 (8X)

Components 內含配件

① Brace 結構桿桿身..... 1pcs

Caution 注意事項

- Installation is recommended to be performed by licensed mechanics with necessary tools to ensure safety. Incorrect installation may cause injury, damage to the product or vehicle.
安裝建議由合格的技師及工具執行以確保安全。安裝錯誤可能對人員、產品及車輛造成傷害。
- Note the routing of wires and cables before installation, or please refer to factory manual.
安裝前請事先記下線路的安裝路徑及位置以維持原廠配置。有疑問時請參考原廠手冊。
- Tighten bolts and nuts firmly by using handtools, and with specified torque if mentioned.
安裝過程請使用手動工具確實鎖緊螺帽及螺絲。如有特別註明請依照說明指示的扭力上鎖。



Instructions 安裝說明

1. Raise and safely support the vehicle.
將車輛升起。
2. Remove the front subframe rear bracket bolts.
拆卸前副車架後端支架的螺絲。
3. Remove the factory exhaust tunnel reinforcement brace bolts.
拆卸原廠排氣管通道強化鈹件的螺絲。
4. Install the brace to the subframe.
將結構桿桿身安裝至副車架。
5. Reinstall the bolts to secure the brace.
完成後鎖上螺絲以固定桿身。

