

# Installation Guide

## 安裝說明書

VEHICLE APPLICATIONS  
適用車型

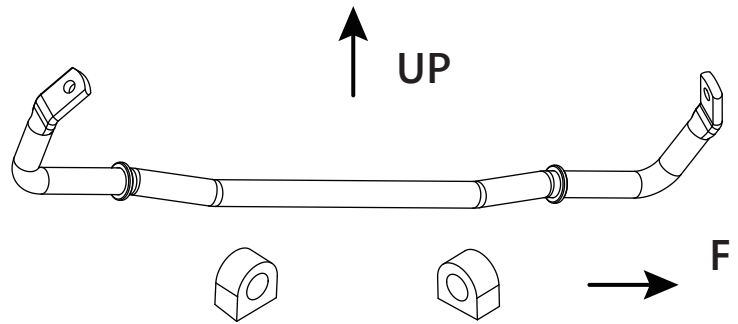
LEXUS NX AZ10 2014-  
TOYOTA RAV4 XA40 2013

PART NO. 8665

### Contents 內含配件

※ Please apply hand tools for installation  
安裝過程請使用手動工具

1. Rear Sway Bar 後防傾桿(25.4mm) 1PCS
2. Stabilizer Bush 防傾桿橡皮 2PCS



### Installation tips 安裝提示

※ Please read the HARDRACE Tech Tips before installing the products.  
在安裝之前請詳閱 HARDRACE 技術提示



#### Recommended Torque for bolts/nuts 螺絲/帽鎖緊扭力參考

M8	60Nm
M10	70Nm
M12	80~90Nm

Concave of Sway bar should be upward.  
安裝時注意凹槽面向上



### HARDRACE Tech Tips 技術提示

Warning! Risk of Death may be caused by vehicle slipping or toppling off the jacking platform.

警告! 在頂車機的作業下，車輛的滑動或倒塌可能會造成人員致命的危險

Motor vehicle mechanical knowledge is expected. In some country & states, fitment may only be legally performed by a licensed mechanic. Check the regulation in your area.

請預先了解車輛機械知識與檢查在您所屬的國家或區域地方是否需要專業技師執照才可執行更換安裝，以免觸法

When swapping the suspension kits, be sure to note the routing and mounting position of all wires, cables and bolts orientation, certain damage might be caused by reinstalling differently from the original factory position. Please refer to factory manual for proper installation and safety stands.

當更換您車輛的懸吊套件時，請記下您的線組與管線安裝位置，非原廠相同的安裝位置可能會造成元件之損壞，造成車輛的危險。請參考原廠車輛手冊



TEL: +886 3 5370822 FAX: +886 3 5373027  
E-MAIL: info@hardrace.com WEBSITE: WWW.HARDRACE.COM

