

Installation Instructions

安裝說明書

REAR STAB. LINK SPACER

後李仔串墊片組

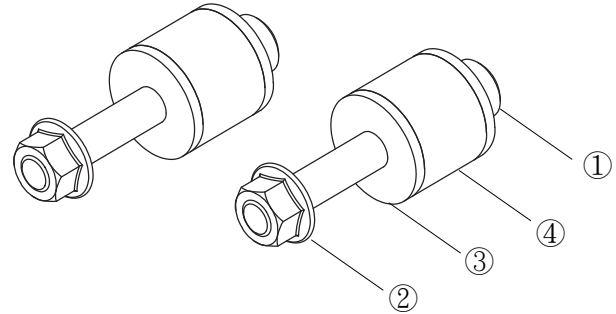
#Q0130

Application 適用車型

Honda Civic EF,EG,EK '89-00

Components 內含配件

① Bolt 螺絲 (M10x1.5x70)	2PCS
② Nut 螺帽 (M10x1.5-17x10)	2PCS
③ Washer 華司 (30x10x3)	4PCS
④ Rubber 李仔串橡皮	2PCS



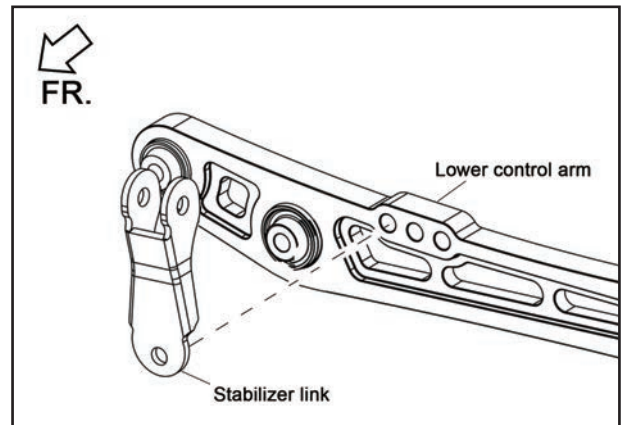
Caution 注意事項

- Installation is recommended to be performed by licensed mechanics with necessary tools to ensure proper installation and safety, or damage to the product or vehicle may occur.
- Note the routing and position of wires and cables before installation. Please refer to factory manual.
- Tighten bolts and nuts firmly using handtools, or with specified torque if mentioned.
- 安裝需由合格的專業技師及工具執行以確保安裝正確及安全，否則可能對產品或車輛造成傷害。
- 安裝前請記下線路安裝路徑及位置，或請參考原廠手冊。
- 請使用手動工具確實鎖緊螺帽及螺絲，或依照說明中標註的扭力上鎖。

Instructions 安裝說明

1. Remove the lower bolts and nuts of rear stabilizer links to detach the links from lower control arms on both sides.

拆卸固定後李仔串於後下控制臂的螺絲及螺帽，並將李仔串從控制臂上卸下。



2. Reinstall the stock stabilizer links to lower control arms with the stabilizer link spacers as shown in figure 2 and tighten the supplied bolts and nuts.

請參考圖表二，將李仔串墊片組連同已拆下的李仔串裝回下控制臂。

