

Installation Instructions

安裝說明書

REAR LOWER ARM DROP KIT

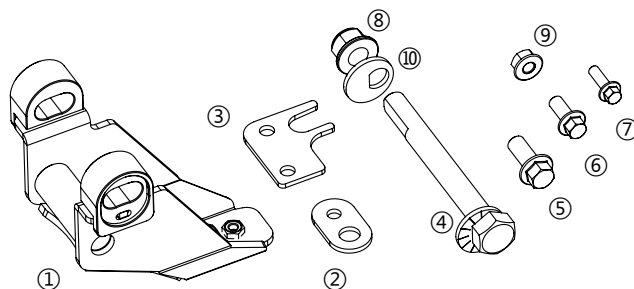
後下支臂降低套件

#Q0657

19"-up rims recommended. Does not fit OE 18" rims.
適用於19吋以上鋁圈·原廠18吋鋁圈不適用。

Components 內含配件

- ① Lowering bracket 降低座2pcs
- ② Spacer 墊片2pcs
- ③ Brake line mounting extension 煞車油管延伸支架....2pcs
- ④ Eccentric bolt 偏心螺絲 (M14x1.5).....2pcs
- ⑤ Bolt 螺絲 (M10x1.25).....2pcs
- ⑥ Bolt 螺絲 (M8x1.25).....4pcs
- ⑦ Bolt 螺絲 (M6x1.0).....2pcs
- ⑧ Nut 螺帽 (M14x1.5).....2pcs
- ⑨ Nut 螺帽 (M8x1.25).....2pcs
- ⑩ Eccentric washer 偏心華司.....2pcs



Caution 注意事項

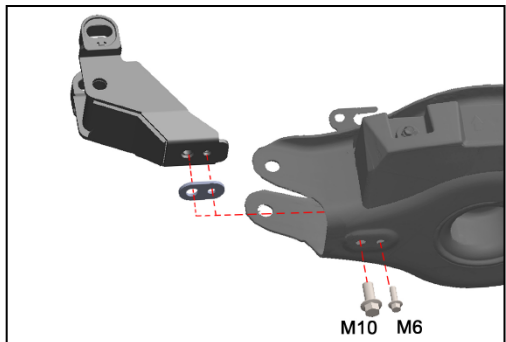
- Installation is recommended to be performed by licensed mechanics with necessary tools to ensure safety. Incorrect installation may cause injury, damage to the product or vehicle. 安裝建議由合格的技師及工具執行以確保安全·安裝錯誤可能對人員、產品及車輛造成傷害。
- Note the routing of wires and cables before installation, or please refer to factory manual. 安裝前請事先記下線路的安裝路徑及位置以維持原廠配置·有疑問時請參考原廠手冊。
- Tighten bolts and nuts firmly by using handtools, and with specified torque if mentioned. 安裝過程請使用手動工具確實鎖緊螺帽及螺絲·如有特別註明請依照說明指示的扭力上鎖。

Instructions 安裝說明

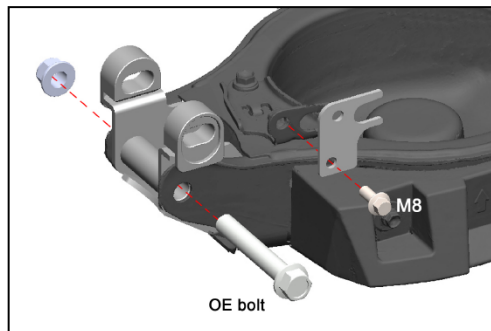
1. Remove brake line mounting bracket from lower control arms.
將煞車線固定座從後下支臂拆下。
2. Remove lower control arms outer bolts and loosen the inner bolts to detach steering knuckle.
將下支臂外側螺絲卸下並放鬆內側螺絲以卸下轉向節(羊角)。



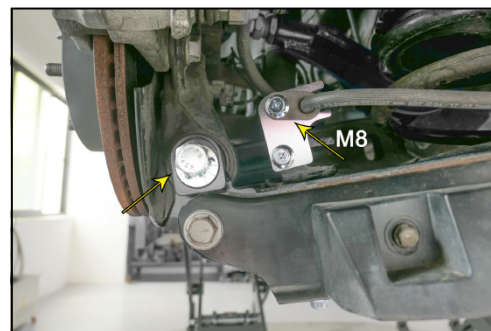
3. Install the lowering bracket to lower control arms using supplied M10, M6 bolts and spacers.
使用M10、M6螺絲及墊片·將降低座安裝至下支臂。



4. Reinstall factory control arm outer bolts and nuts to the lowering brackets and control arms.
將原廠下支臂外側螺絲及螺帽安裝至降低座及下支臂。
5. Install the brake line extension bracket to control arms using supplied M8 bolts.
使用M8螺絲將煞車油管上移支架安裝至下支臂。



6. Install knuckles to the new mountings using supplied M14 eccentric bolts, nuts and washers.
Turn the eccentric bolts to reach desired camber setting.
使用M14偏心螺絲、螺帽及華司·將轉向節(羊角)安裝至新的鎖點·調整偏心螺絲的安裝方向以微調外傾角(Camber)設定。
7. Install brake lines to the extension brackets using supplied M8 bolts and nuts.
使用M8螺絲將煞車油管延伸支架安裝至下支臂。



8. Tighten the control arm bolts when suspension is loaded.
於懸吊負重的狀態下將下支臂螺絲鎖緊。