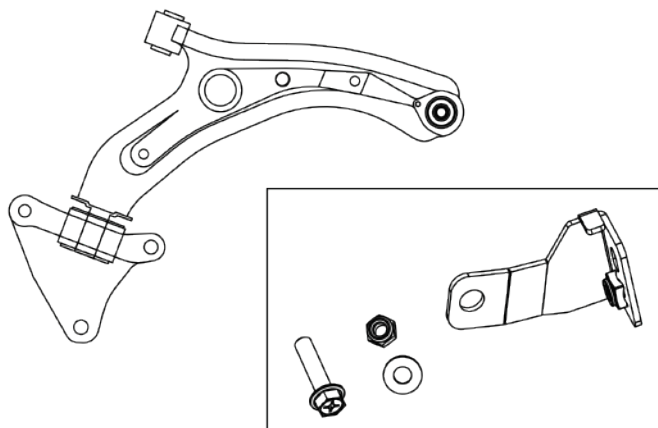


### Application 適用車型

HONDA FIT 2007-2014 (GE6/7/8/9)

### Components 內含配件

- ① Control arm-RH 控制臂-右.....1pcs
- ② Control arm-LH 控制臂-左.....1pcs
- ③ Headlight leveling sensor bracket  
頭燈水平感應器支架.....1pcs
- ④ Bolt 螺絲 (M8x1.25x35).....1pcs
- ⑤ Nut 螺帽 (M8x1.25-13x8).....1pcs
- ⑥ Washer 華司 (16x8.4x1.4).....1pcs



### Caution 注意事項

- Installation is recommended to be performed by licensed mechanics with necessary tools to ensure safety. Incorrect installation may cause injury, damage to the product or vehicle.  
安裝建議由合格的技師及工具執行以確保安全。安裝錯誤可能對人員、產品及車輛造成傷害。
- Note the routing of wires and cables before installation, or please refer to factory manual.  
安裝前請事先記下線路的安裝路徑及位置以維持原廠配置。有疑問時請參考原廠手冊。
- Tighten bolts and nuts firmly by using handtools, and with specified torque if mentioned.  
安裝過程請使用手動工具確實鎖緊螺帽及螺絲。如有特別註明請依照說明指示的扭力上鎖。

### Instructions 安裝說明

Headlight leveling sensor bracket installation  
頭燈水平感應器支架安裝示意圖

1. Place the bracket onto the LH side control arm.  
將支架安裝至左側控制臂。

2. Install supplied supplied bolt, nut and washer to secure the bracket.  
使用附件的螺絲、螺帽及華司。將支架鎖上。

