

Installation Instructions

安裝說明書

FRONT UPPER CAMBER KIT

前上仰角調整器

#Q0603 / Q0869

Application 適用車型

TESLA MODEL 3 2017+

Components 內含配件

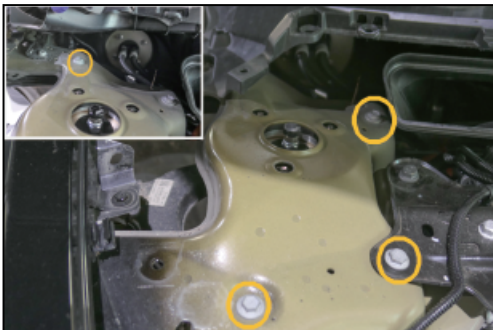
- ① Control arm-L 控制臂-左.....1pcs
- ② Control arm-R 控制臂-右.....1pcs
- ③ Ride height sensor bracket 車高感應器支架...2pcs
- ④ ABS wire harness bracket 輪速感應器支架.....2pcs
- ⑤ Bolt 螺絲 (M6x1.0x16).....2pcs

Caution 注意事項

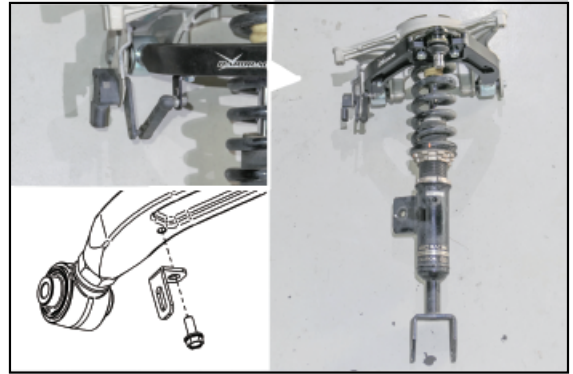
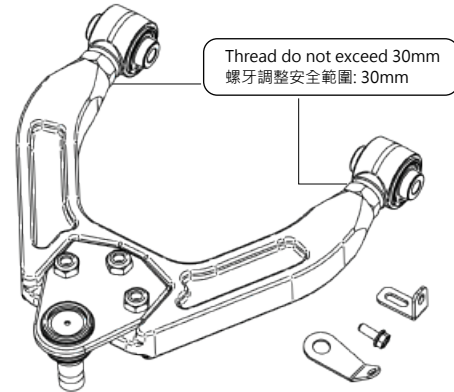
- Installation is recommended to be performed by licensed mechanics with necessary tools to ensure safety. Incorrect installation may cause injury, damage to the product or vehicle. 安裝建議由合格的技師及工具執行以確保安全。安裝錯誤可能對人員、產品及車輛造成傷害。
- Note the routing of wires and cables before installation, or please refer to factory manual. 安裝前請事先記下線路的安裝路徑及位置以維持原廠配置。有疑問時請參考原廠手冊。
- Tighten bolts and nuts firmly by using handtools, and with specified torque if mentioned. 安裝過程請使用手動工具確實鎖緊螺帽及螺絲。如有特別註明請依照說明指示的扭力上鎖。

Instructions 安裝說明

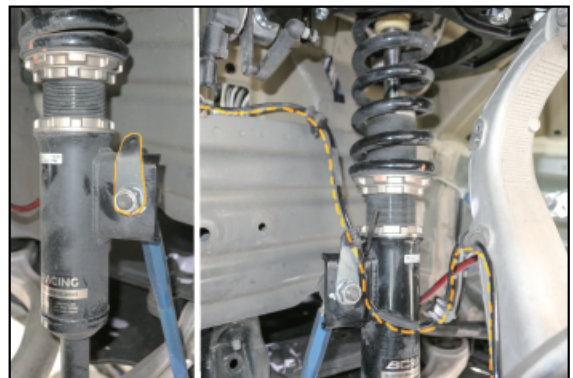
1. Raise and safely support the vehicle.
將車輛升起。
2. Disconnect the marked parts to remove front upper arm and coilover mounting assemblies from strut towers.
將圖片圈起處拆下，以卸下前上控制臂及避震器座總成。



3. Remove the OE arms from mounting assemblies.
Replace them with the new arms.
將原廠前上控制臂從總成上卸下，安裝新的前上控制臂。
4. Install supplied ride height sensor bracket to the new upper arms. Then install the sensor linkages to the new brackets.
安裝附件的車高感應器支架至新的控制臂，完成後將感應器連桿鎖上。



5. Reinstall upper arm and coilover assemblies to vehicle.
將前上控制臂及避震器總成裝回車輛。
6. Reinstall all the disconnected parts to vehicle. When fitting sway bar end links, install supplied ABS wire harness bracket to the end link mountings on coilovers.
將先前拆下的部分裝回車輛，安裝李仔串時，請同時將附件中的ABS線組支架鎖至避震器上的李仔串鎖點。
7. Refit ABS wire harness to the new brackets following the same route as the below pic shows.
將依照下圖路線，將輪速感應線組安裝至新的支架上。



8. Adjust to desired camber settings. This should be done by professional to ensure the vehicle is properly aligned.
完成後請接受定位校正，將負外傾角(Camber)調整至理想設定值。