

Installation Instructions

安裝說明書

REAR SUBFRAME ANTI-VIBRATION INSERT

後車身制震墊片

#Q0959

Application 適用車型

Audi A4/S4/RS4 B9

Audi A5/S5/RS5 B9

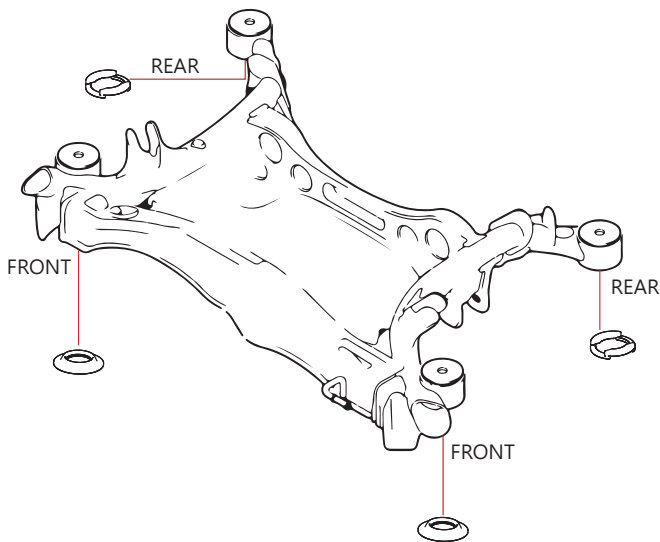
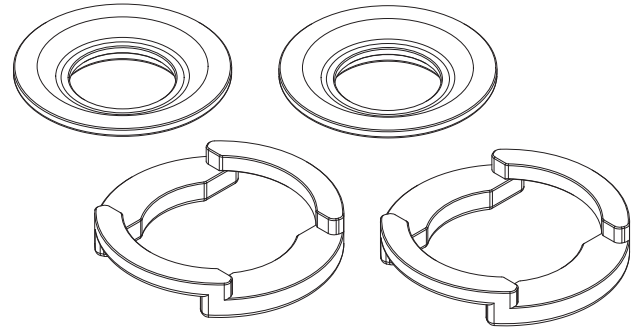
Components 內含配件

- ① Front Insert 前端墊片..... 2PCS
- ② Rear Insert 後端墊片..... 2PCS

Caution 注意事項

- Installation is recommended to be performed by licensed mechanics with necessary tools to ensure safety. Incorrect installation may cause injury, damage to the product or vehicle. 安裝建議由合格的技師及工具執行以確保安全。安裝錯誤可能對人員、產品及車輛造成傷害。
- Note the routing of wires and cables before installation, or please refer to factory manual. 安裝前請事先記下線路的安裝路徑及位置以維持原廠配置。有疑問時請參考原廠手冊。
- Tighten bolts and nuts firmly by using handtools, and with specified torque if mentioned. 安裝過程請使用手動工具確實鎖緊螺帽及螺絲。如有特別註明請依照說明指示的扭力上鎖。

Instructions 安裝說明



1. Remove factory metal plate and rubber retainer from the rear subframe bushings.

將原廠後副車架鐵套上的鐵片及橡膠墊片拆下。



2. Place the inserts into the voids of subframe bushings.

將制震墊片置入副車架鐵套孔中。



3. Reinstall the metal plate to the subframe bushings.

將制震墊片置入副車架鐵套孔中。

